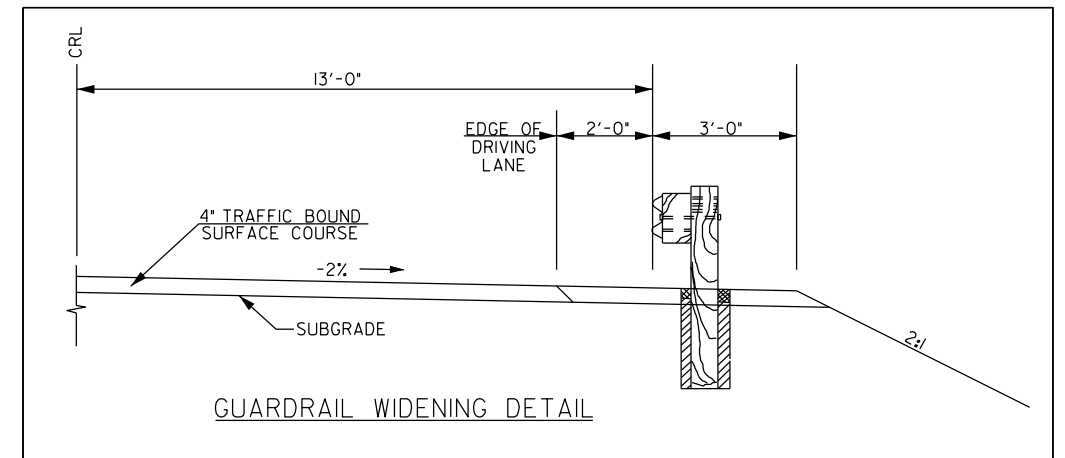
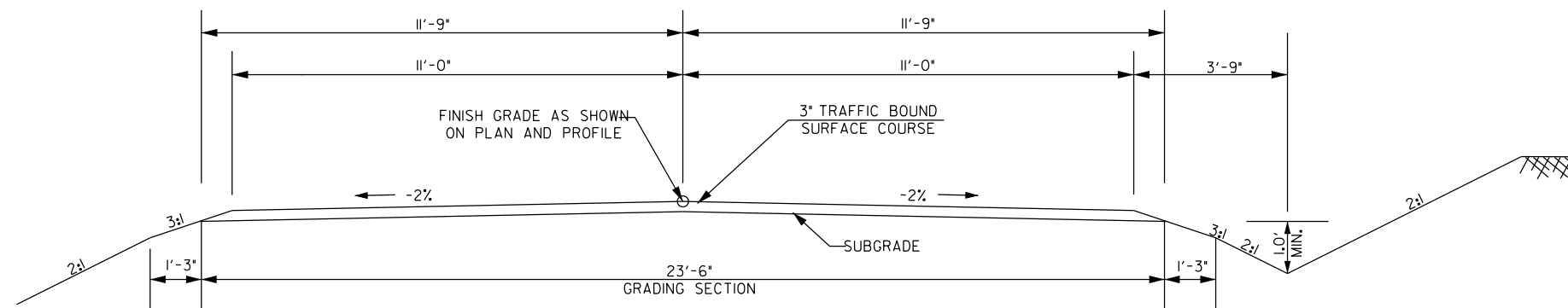


NOT TO SCALE  
**TYPICAL SECTION NO.1**

CRL STATION 4+00.00 TO 13+07.95



**GUARDRAIL WIDENING DETAIL**



NOT TO SCALE  
**SHOOFLY  
 TYPICAL SECTION NO.2**

SHOOFLY STATION 4+00.00 TO 13+27.70

NS-4005 OVER DOYAL CREEK ATOKA COUNTY

**SOUTHEAST #3 CIRCUIT ENGINEERING DISTRICT**

TYPICAL SECTIONS

STATE JOB NO. 29925(04) SHEET NO.0002